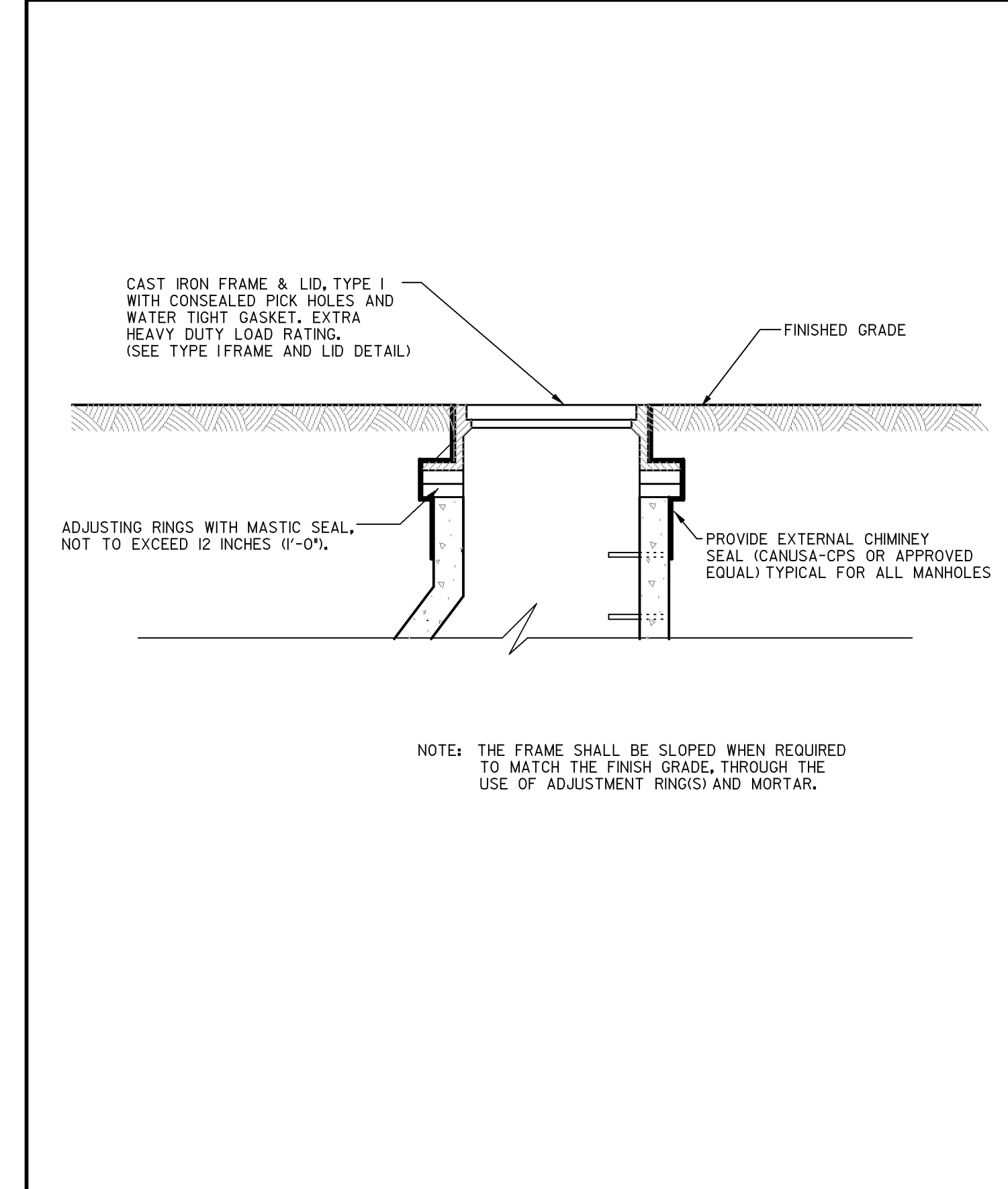


DeKalb Sanitary District
 303 Hollister Avenue • DeKalb, Illinois 60115
 815.758.3513 Fax: 815.758.6615
 DETAIL No. 15

Sanitary Service Cleanout Detail

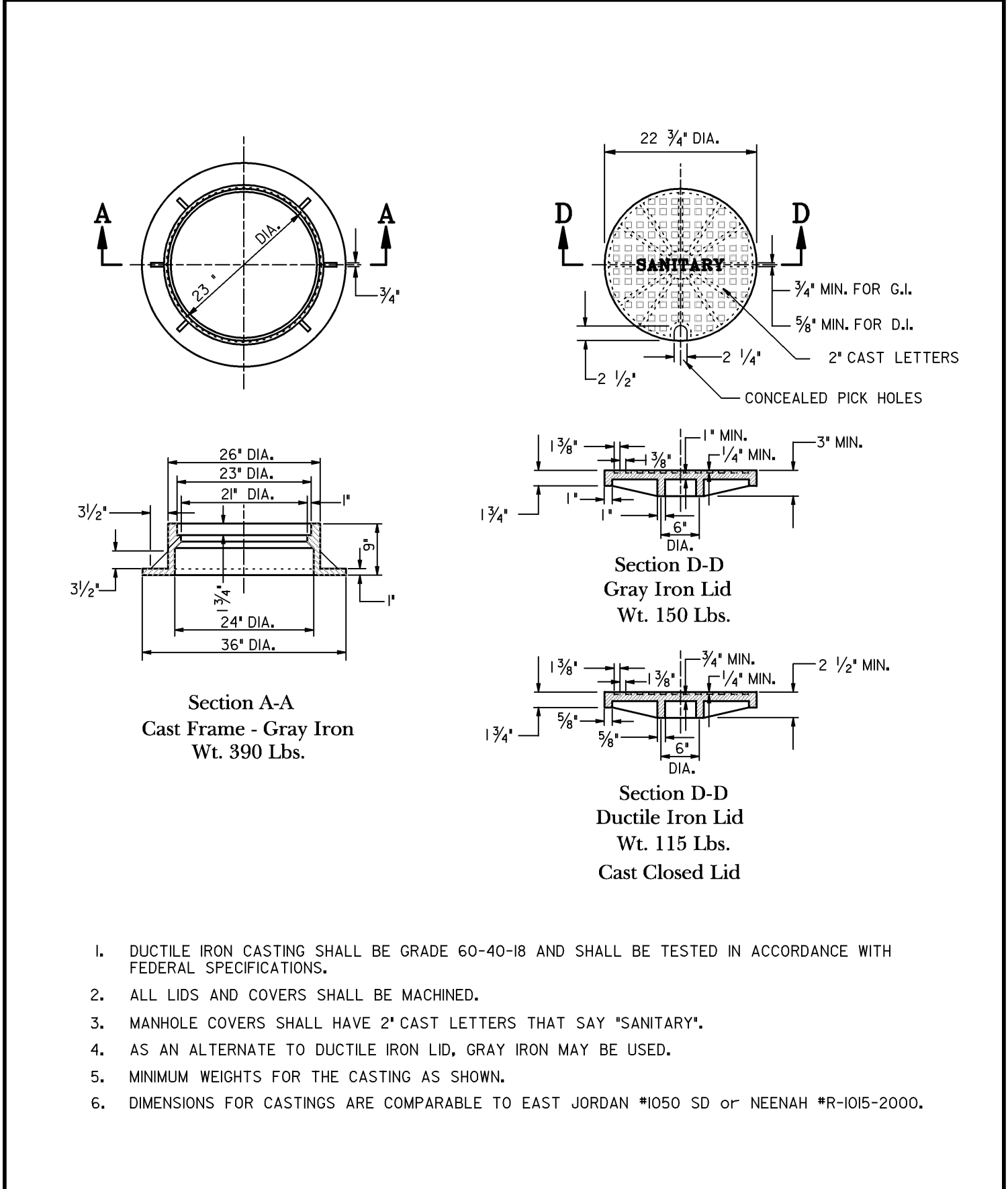
DATE: 06/12/07 REV: A



DeKalb Sanitary District
 303 Hollister Avenue • DeKalb, Illinois 60115
 815.758.3513 Fax: 815.758.6615
 DETAIL No. 16

Flexible Watertight Frame Chimney Seal Detail

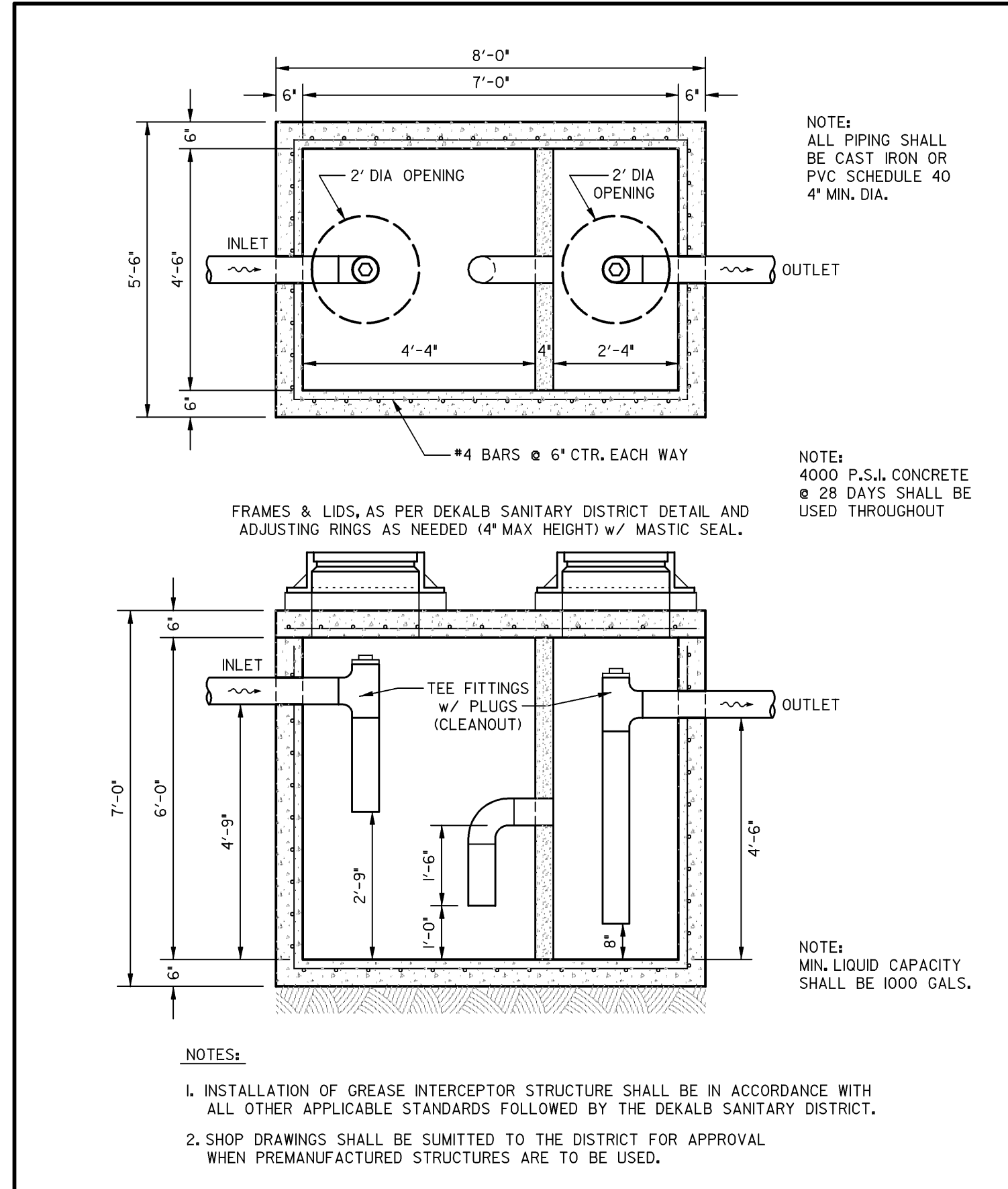
DATE: 06/12/07 REV: A



DeKalb Sanitary District
 303 Hollister Avenue • DeKalb, Illinois 60115
 815.758.3513 Fax: 815.758.6615
 DETAIL No. 17

Frame and Lid Detail

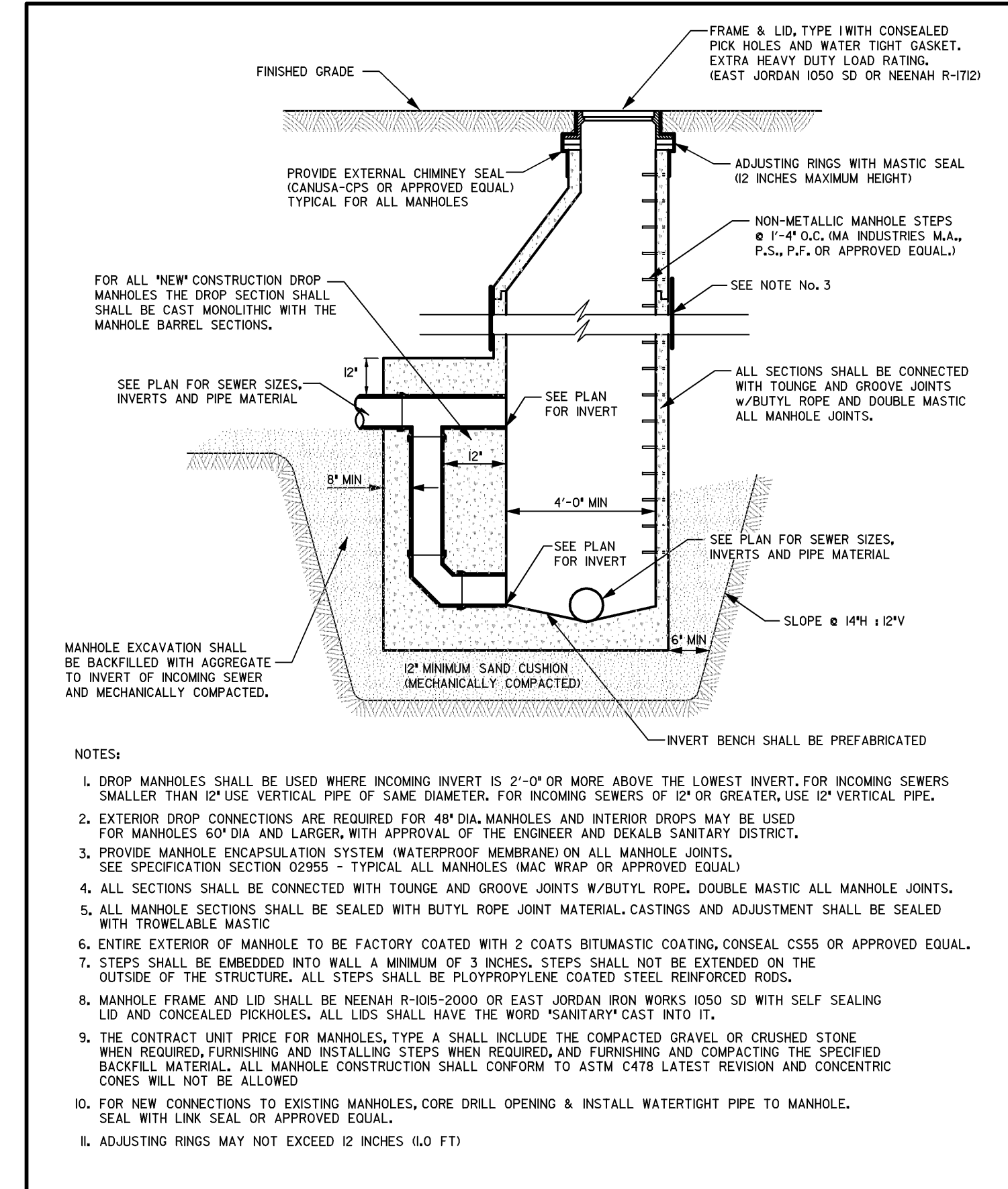
DATE: 06/12/07 REV: A



DeKalb Sanitary District
 303 Hollister Avenue • DeKalb, Illinois 60115
 815.758.3513 Fax: 815.758.6615
 DETAIL No. 25

Precast Reinforced Concrete Grease Interceptor Detail

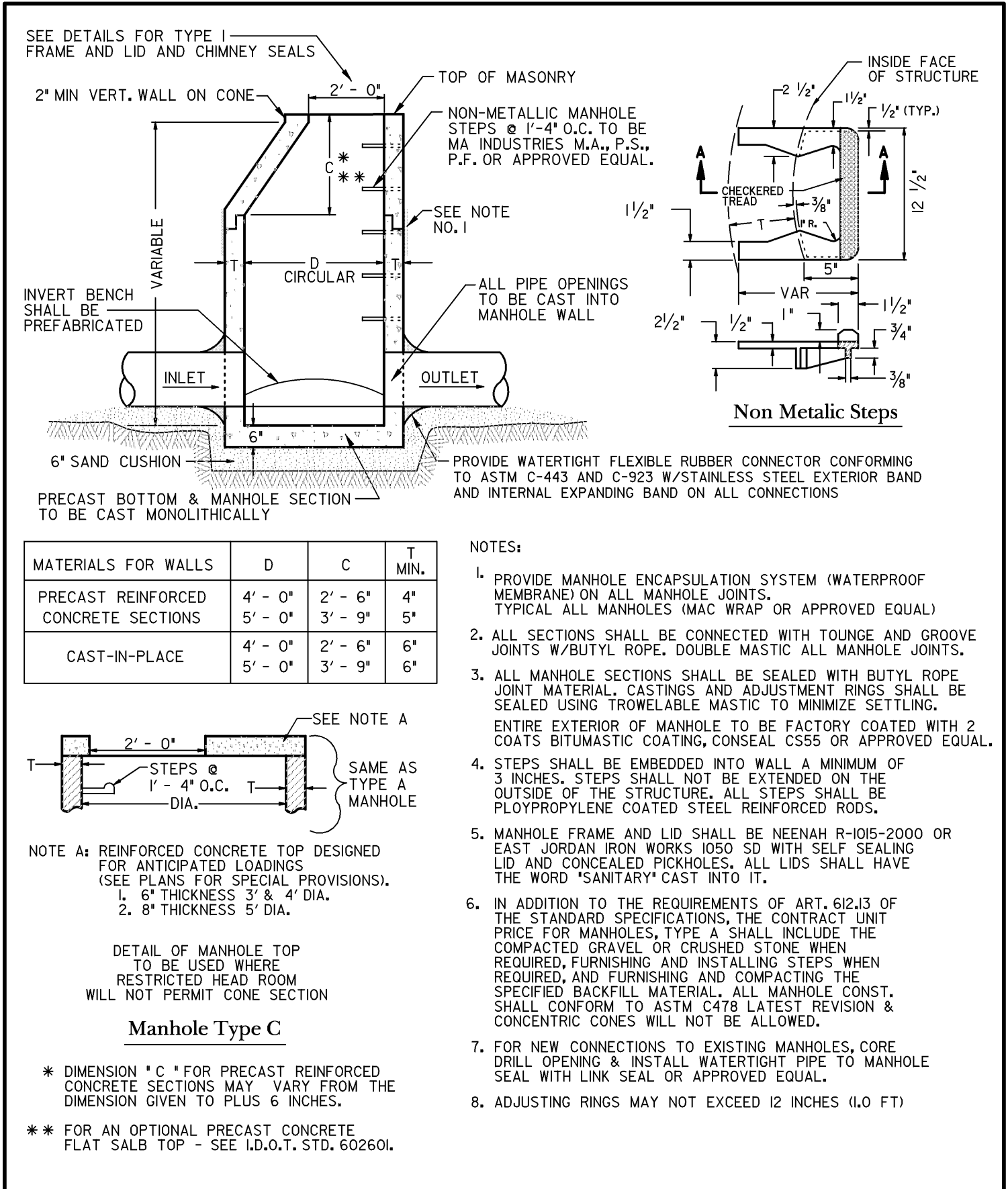
DATE: 06/12/07 REV: A



DeKalb Sanitary District
 303 Hollister Avenue • DeKalb, Illinois 60115
 815.758.3513 Fax: 815.758.6615
 DETAIL No. 18

Drop Manhole Detail

DATE: 06/12/07 REV: A



DeKalb Sanitary District
 303 Hollister Avenue • DeKalb, Illinois 60115
 815.758.3513 Fax: 815.758.6615
 DETAIL No. 19

Sanitary Manhole Type A

DATE: 06/12/07 REV: A