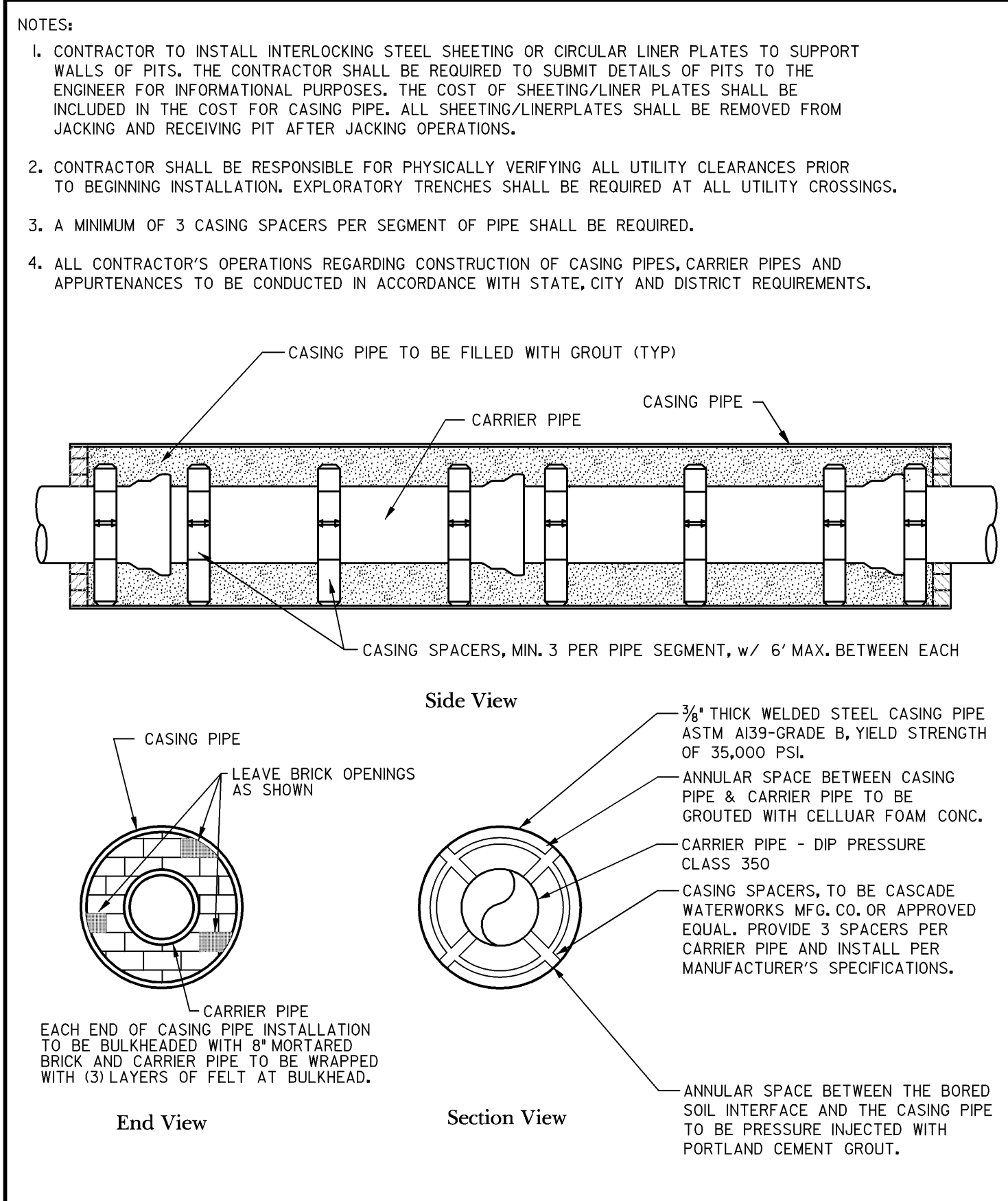


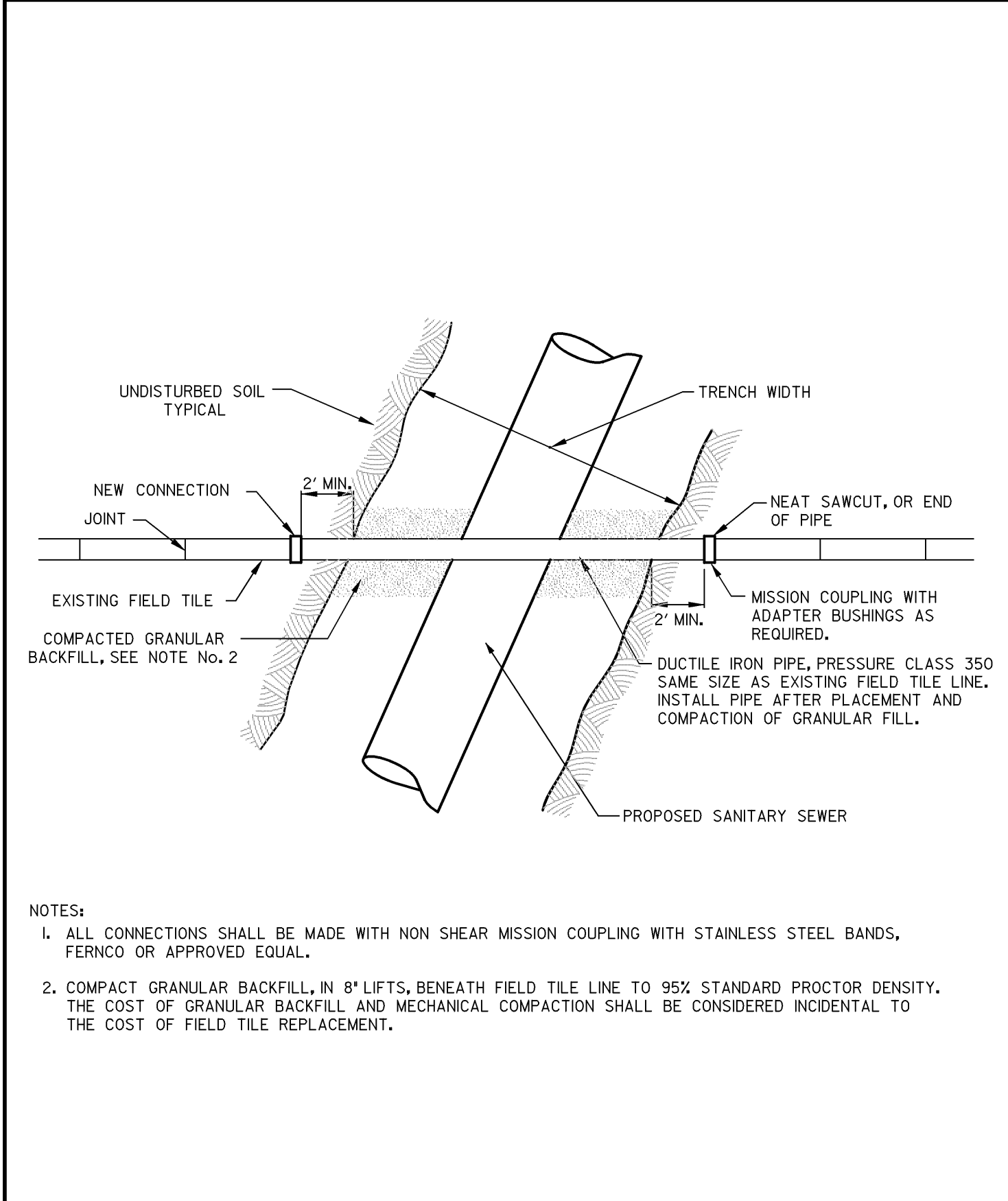
DeKalb Sanitary District
 303 Hollister Avenue • DeKalb, Illinois 60115
 815.758.3513 Fax: 815.758.6615
DETAIL No. 1 DATE: 06/12/07 REV: 4

Existing Sanitary Sewer Spot Repair Detail



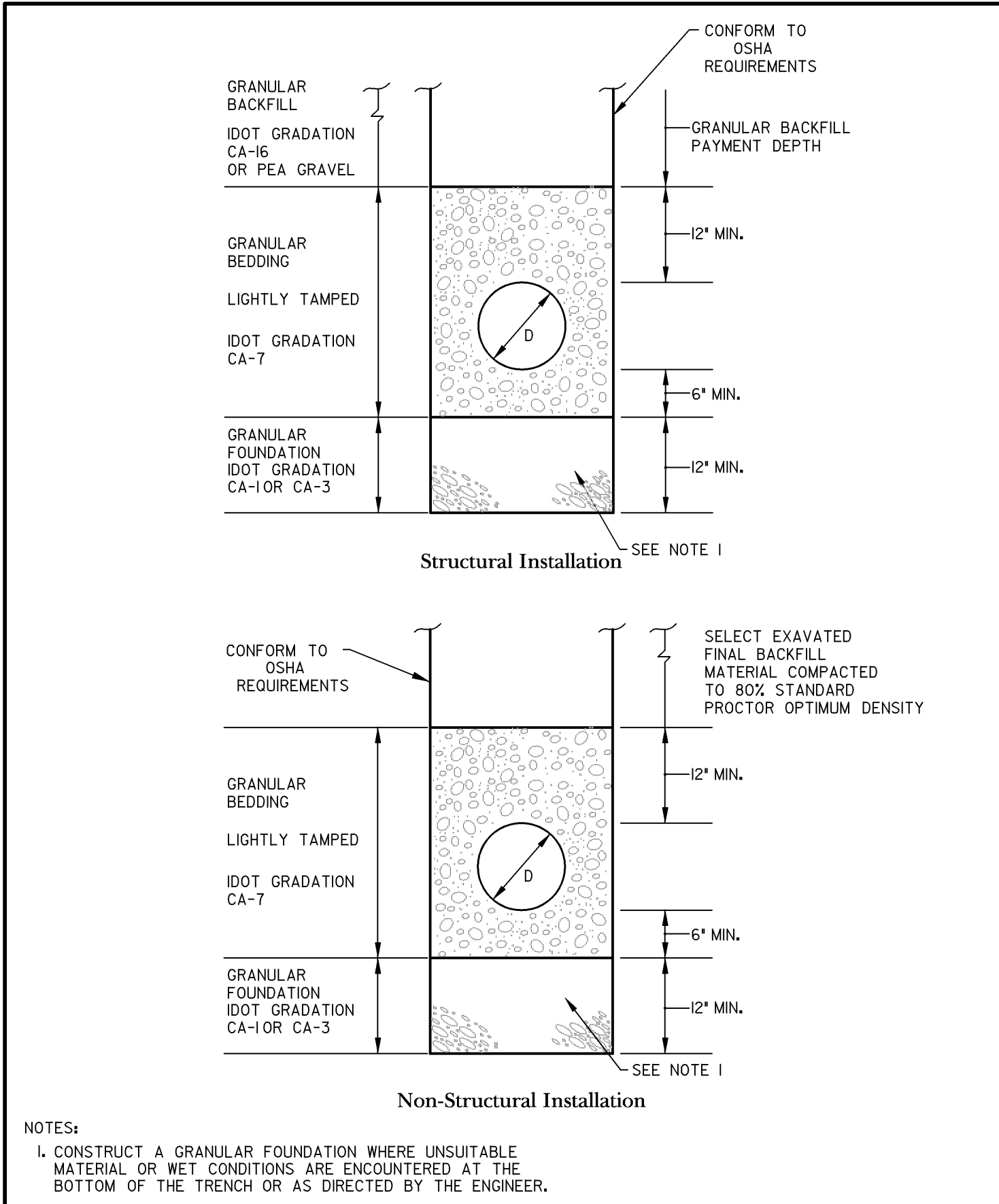
DeKalb Sanitary District
 303 Hollister Avenue • DeKalb, Illinois 60115
 815.758.3513 Fax: 815.758.6615
DETAIL No. 2 DATE: 06/12/07 REV: 4

Casing Pipe Detail



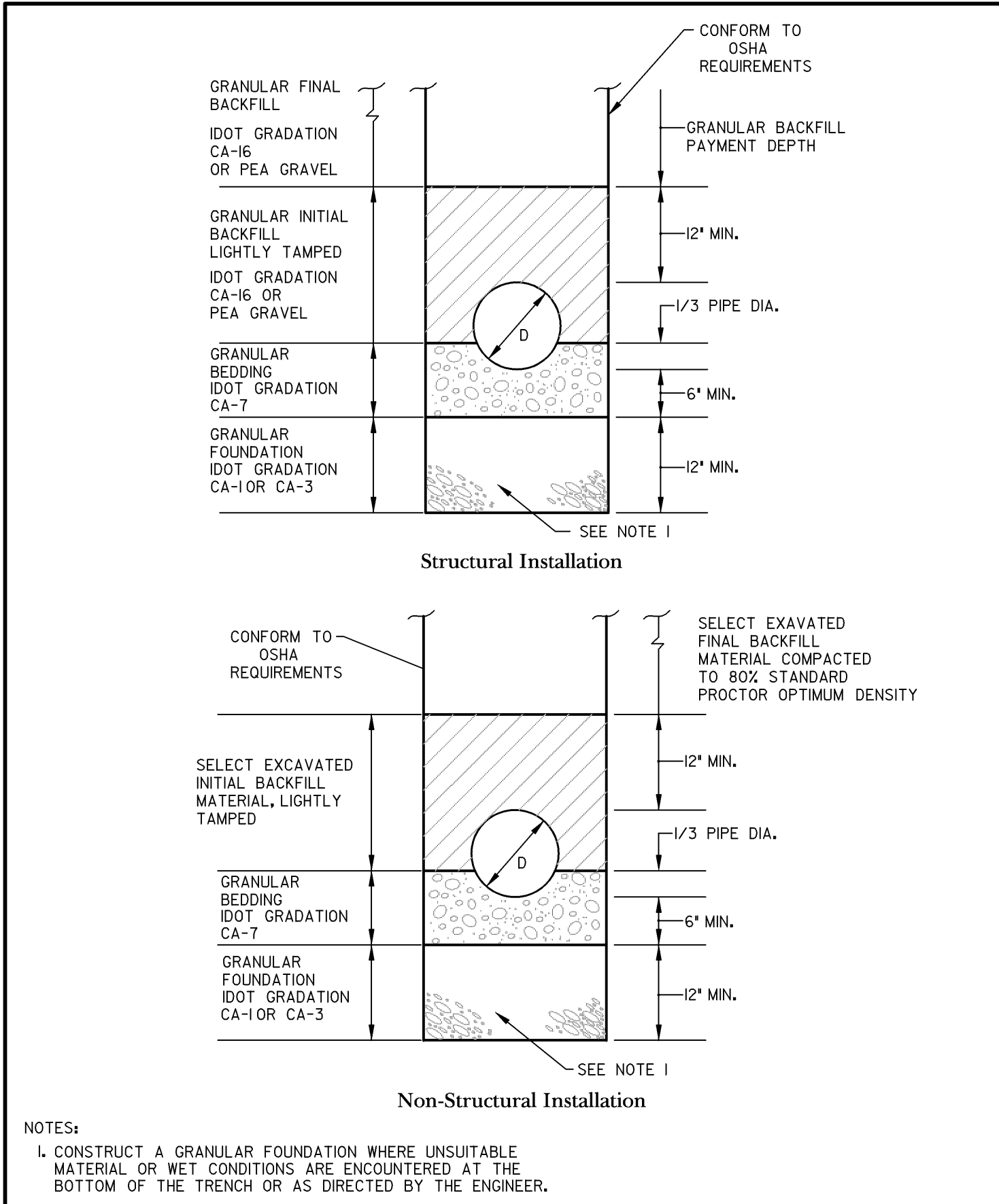
DeKalb Sanitary District
 303 Hollister Avenue • DeKalb, Illinois 60115
 815.758.3513 Fax: 815.758.6615
DETAIL No. 3 DATE: 06/12/07 REV: 4

Replacement of Field Tile Lines Detail



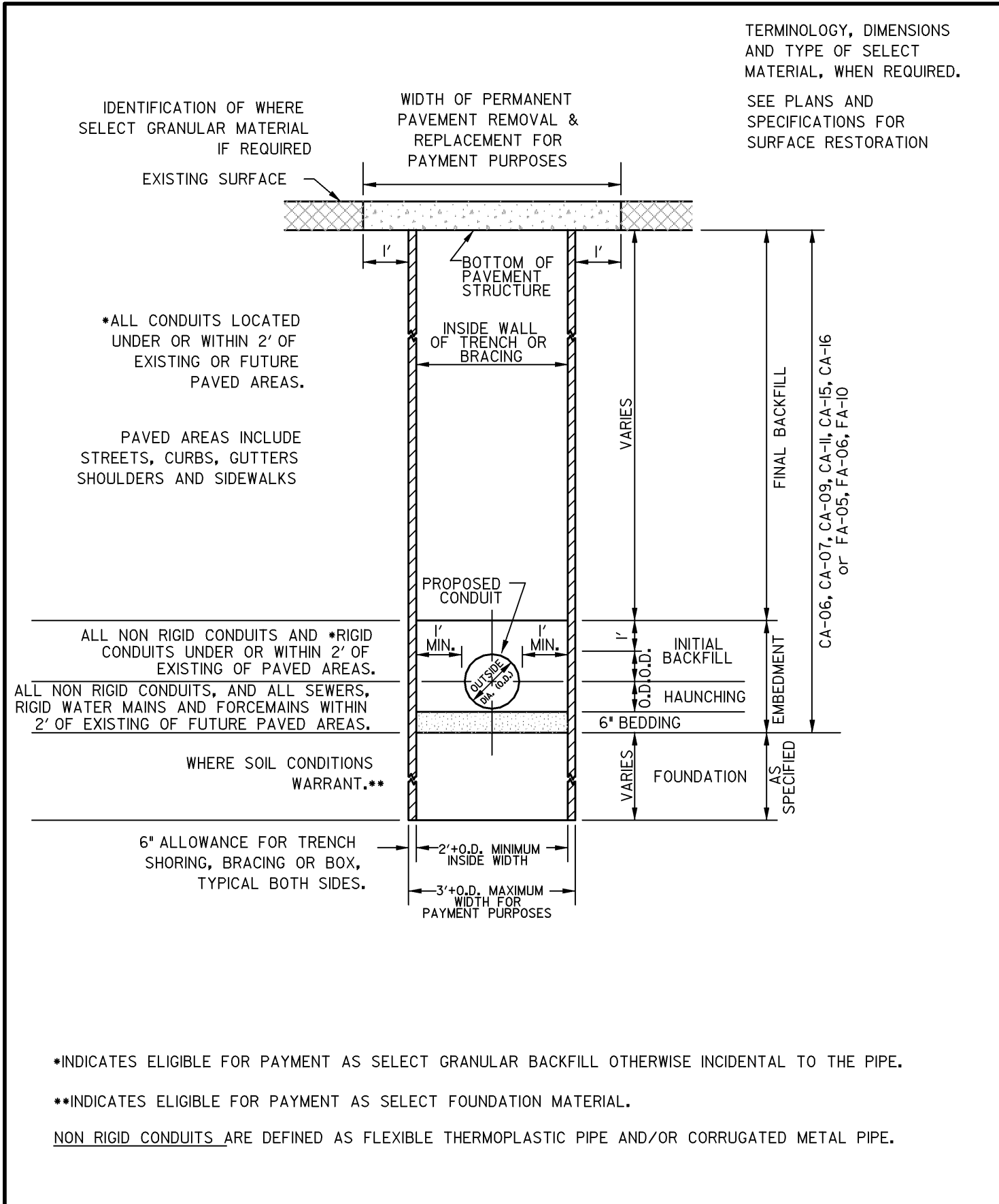
DeKalb Sanitary District
 303 Hollister Avenue • DeKalb, Illinois 60115
 815.758.3513 Fax: 815.758.6615
DETAIL No. 4 DATE: 06/12/07 REV: 4

Detail for Bedding and Backfilling Polyvinyl Chloride (PVC) Sewers



DeKalb Sanitary District
 303 Hollister Avenue • DeKalb, Illinois 60115
 815.758.3513 Fax: 815.758.6615
DETAIL No. 5 DATE: 06/12/07 REV: 4

Detail for Bedding and Backfilling Ductile Iron Pipe Sewers



DeKalb Sanitary District
 303 Hollister Avenue • DeKalb, Illinois 60115
 815.758.3513 Fax: 815.758.6615
DETAIL No. 6 DATE: 06/12/07 REV: 4

Typical Detail of Conduit Installation

Issue	Revisions	Date

Copyright:
 THIS DRAWING SHALL NOT BE USED, REPRODUCED, MODIFIED OR SOLD EITHER WHOLLY OR IN PART, EXCEPT WHEN AUTHORIZED IN WRITING BY THE DEKALB SANITARY DISTRICT.

DeKalb Sanitary District
 303 Hollister Avenue • DeKalb, Illinois 60115
 815.758.3513 Fax: 815.758.6615

Standard Sanitary Sewer Construction Details
DeKalb, Illinois

Issue Date:
Scale:
Sheet Number